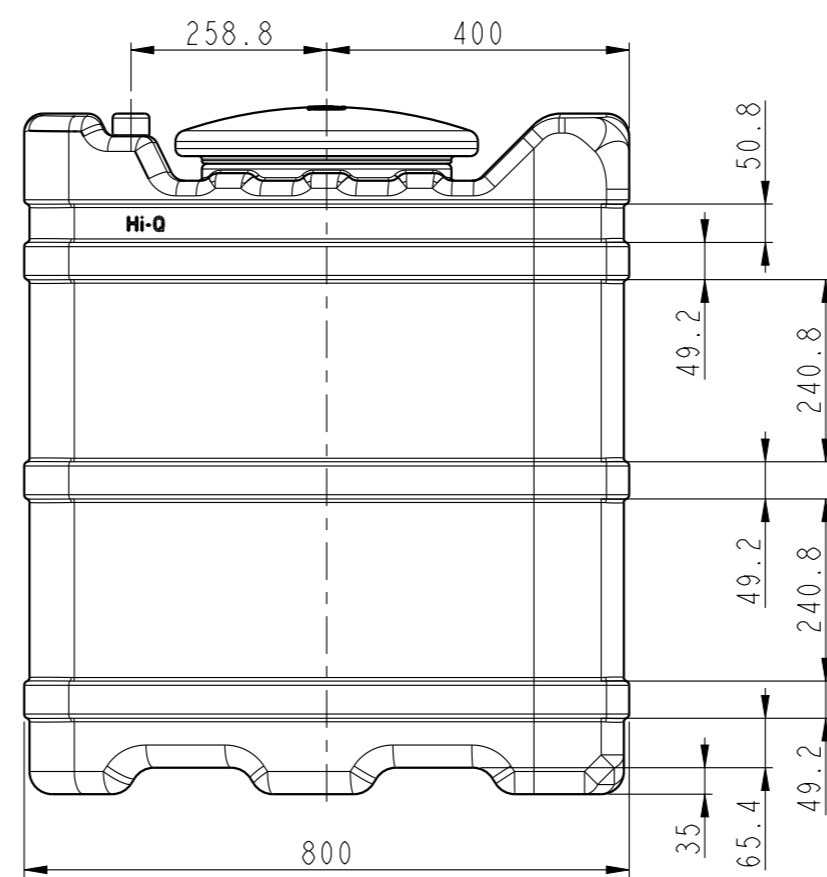
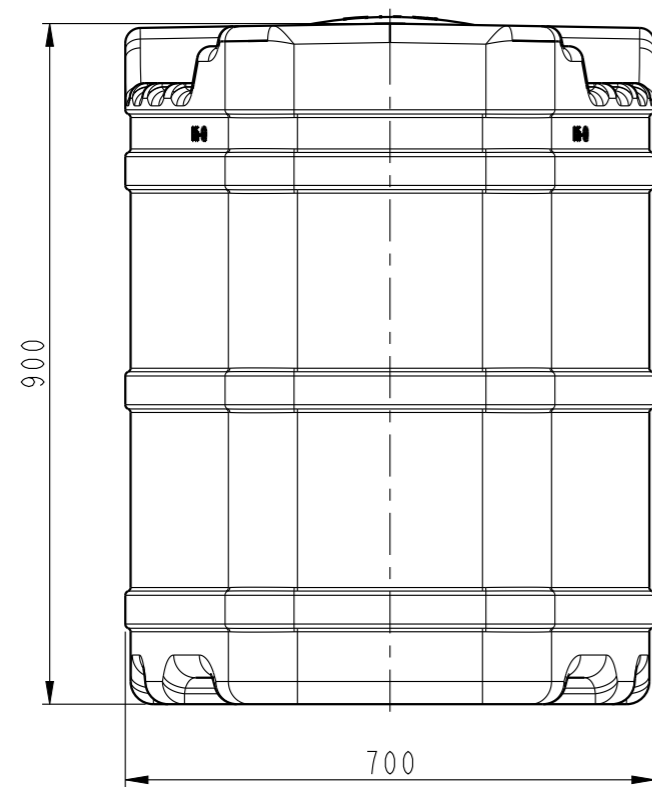
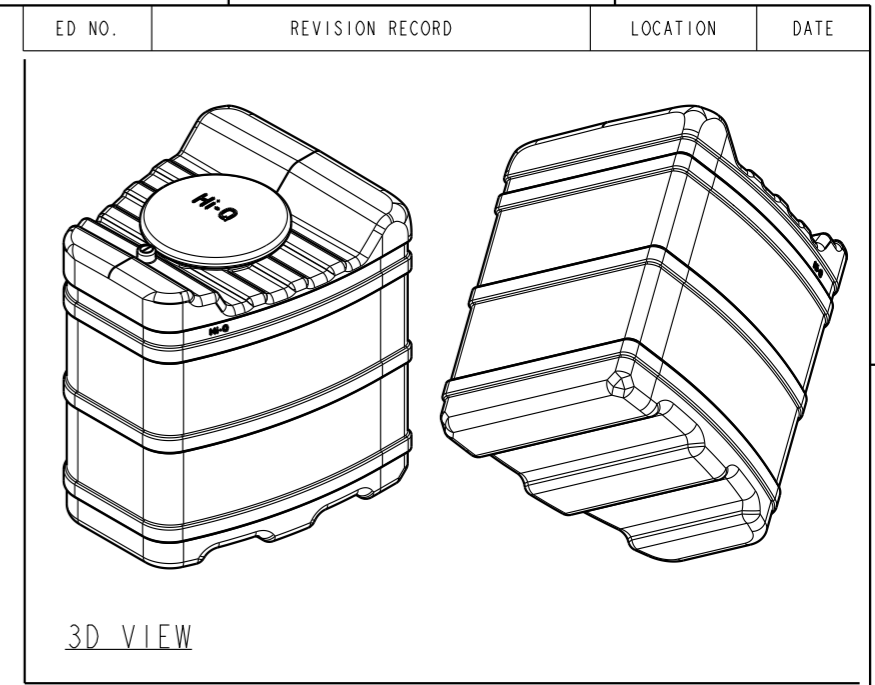
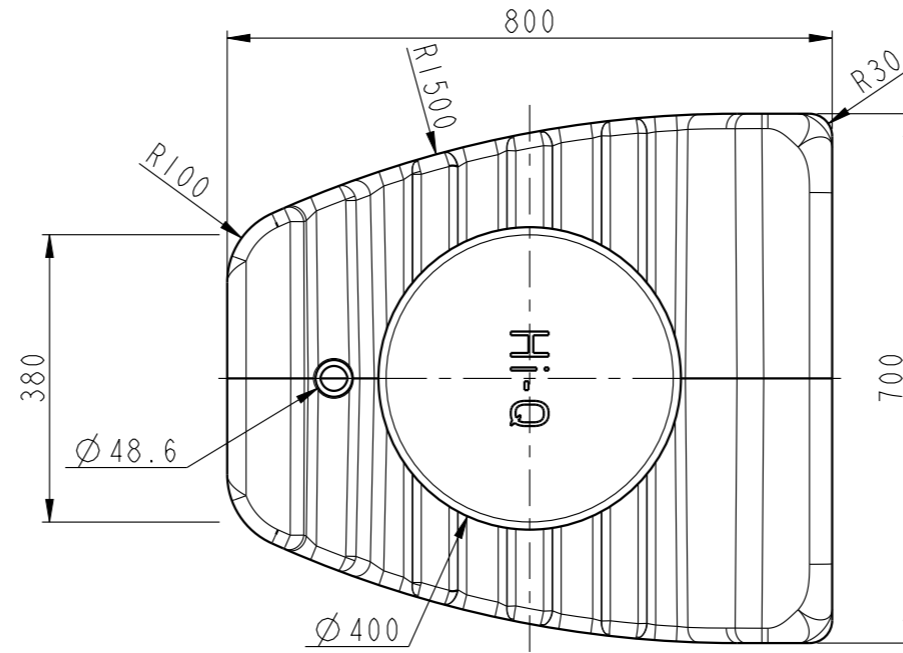


# 충격방지탱크A



LENGTH	H	M	L	MATERIAL	FINISH		CODE NO.	
0-50	±0.05	±0.1	±0.2	 Hi-Q Co., Ltd.	SCALE	1 / 10	UNIT	
51-150	±0.1	±0.2	±0.4		APP.			
151-300	±0.2	±0.3	±0.5		CHK.			
TOLERANCE					DGN.			
							PART NAME	충격방지탱크A
							MODEL NAME	