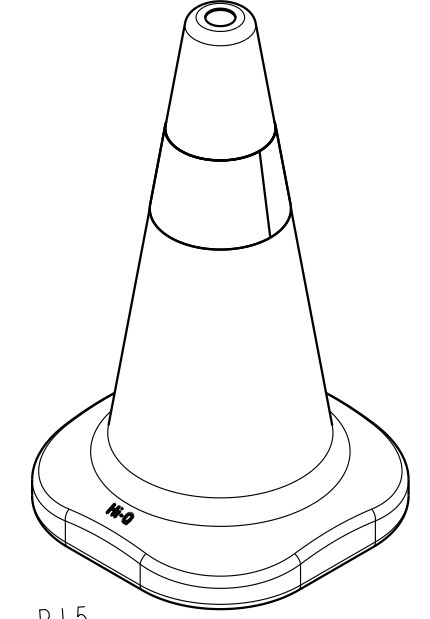
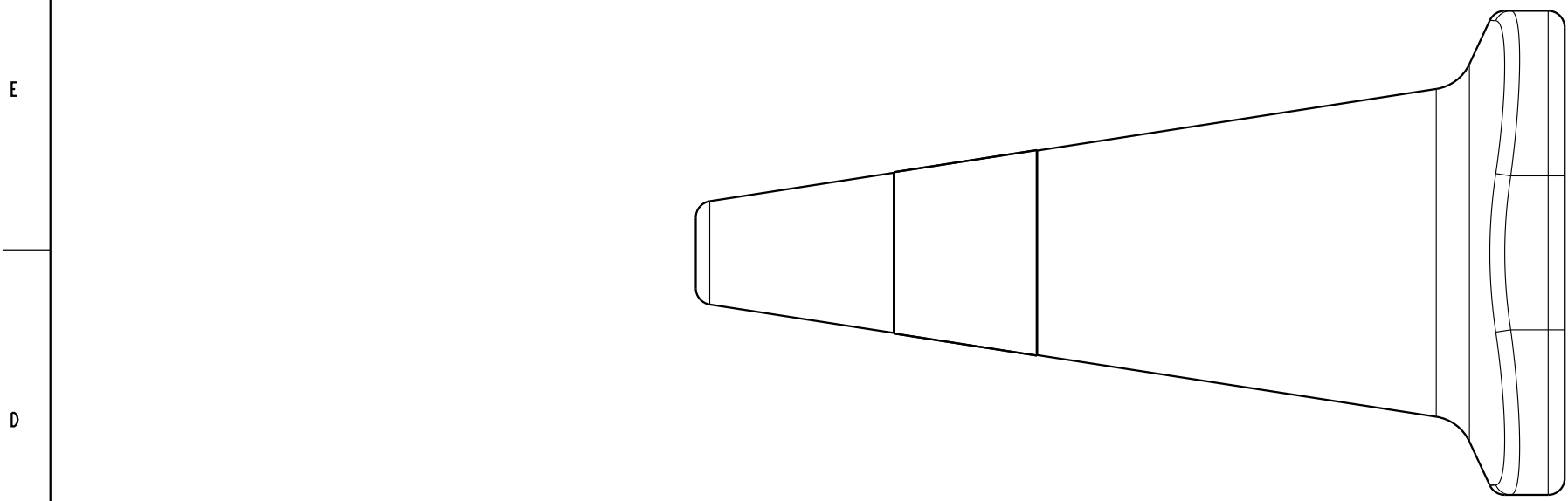
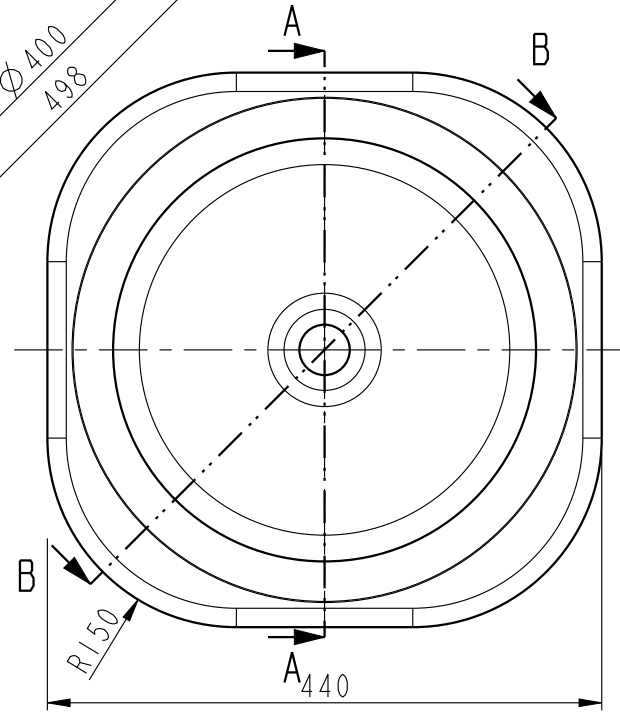
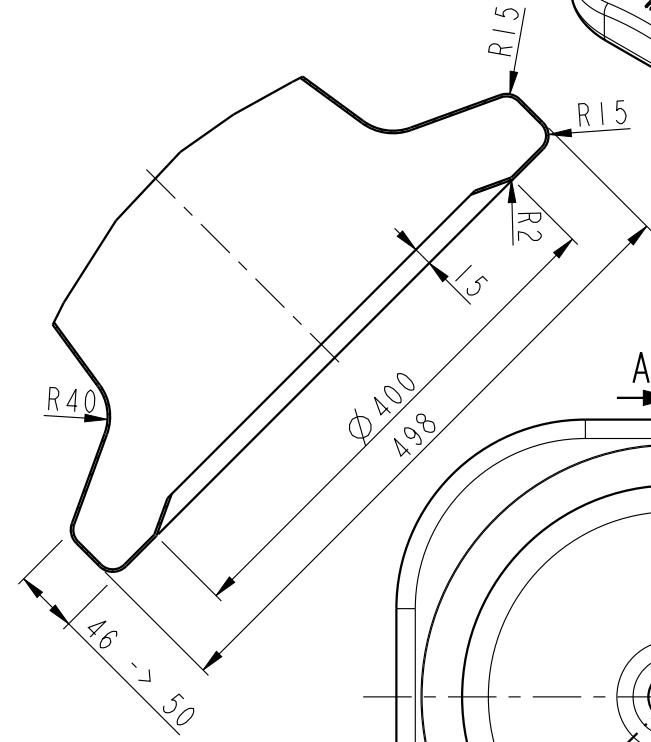
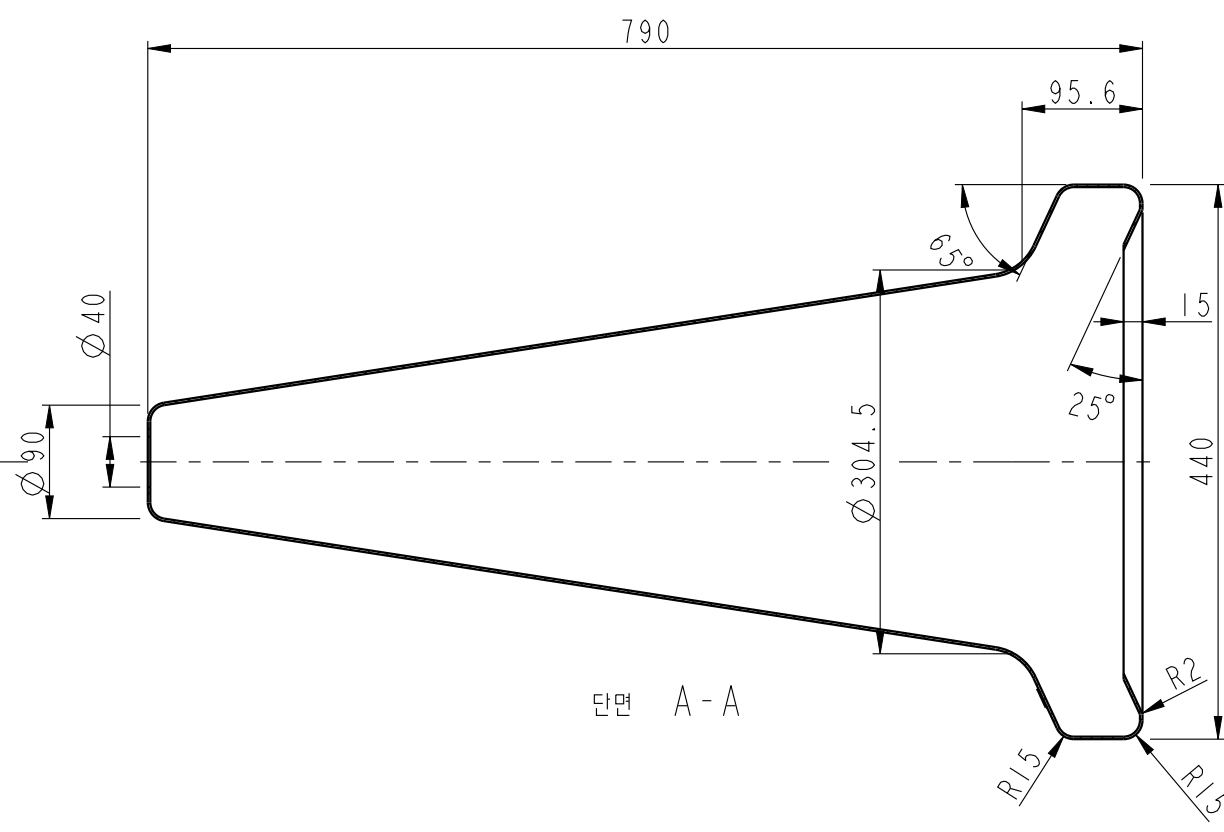
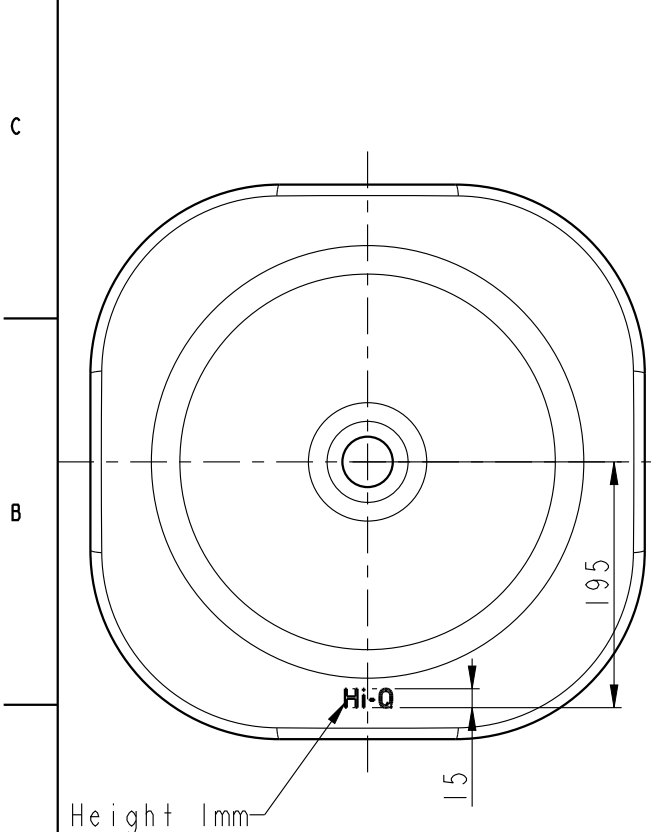


ED NO.	REVISION RECORD	LOCATION	DATE
--------	-----------------	----------	------



배율 1/10



- NOTE
1. AVERAGE WALL THICKNESS = 2mm.
  2. ESTIMATED MASS = 1327 grams
  3. 제품에 SCRATCH, 흠, 뒤틀림, 변형, 흠집, BURR, 이물질(OIL) 등등 유해한 결함이 없을 것.
  4. 상세 치수 및 형상은 3D FILE 참조할 것.

LENGTH	H	M	Ⓛ	MATERIAL	HDPE	FINISH	mm	CODE NO.
0-50	±0.05	±0.1	±0.2	Hi-Q Co., Ltd.	SCALE	1/6	UNIT	mm
51-150	±0.1	±0.2	±0.4		APP.			PART NAME
151-300	±0.2	±0.3	±0.5		CHK.			MODEL NAME
TOLERANCE					DGN.			