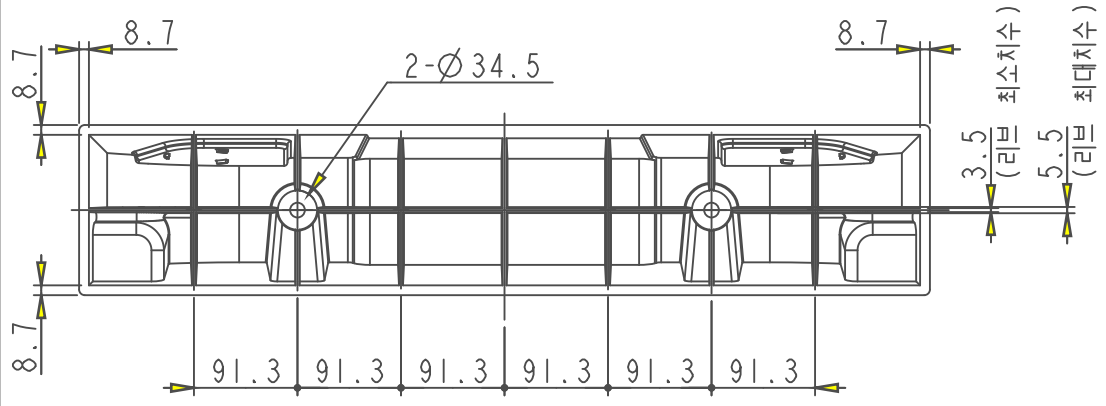
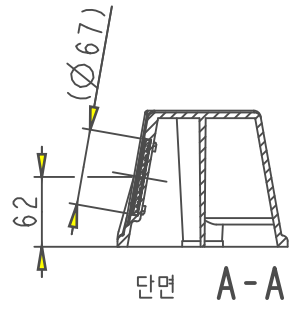
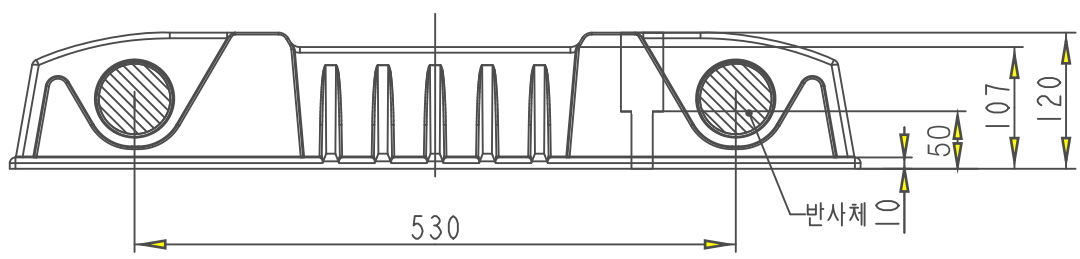
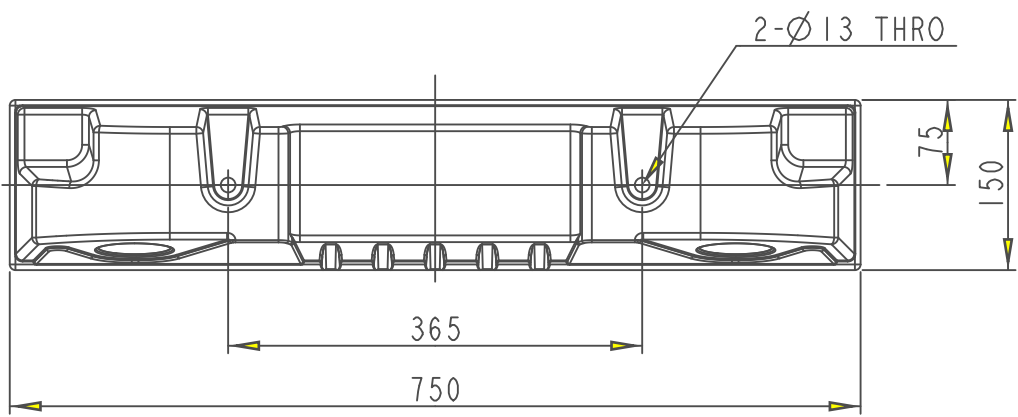
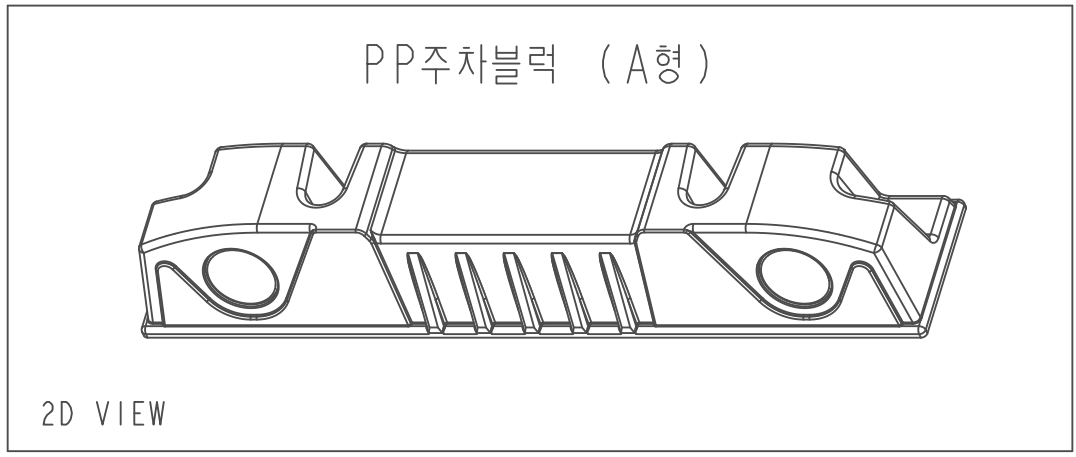


	ED NO.	REVISION	LOCATION	DATE
--	--------	----------	----------	------



MATERIAL	규격	750X150X120		CODE NO.	
 Hi-Q Co., Ltd.	SCALE	3/20	UNIT	mm	PART NAME
	APP.				
	CHK.				MODEL NAME
	DGN.				